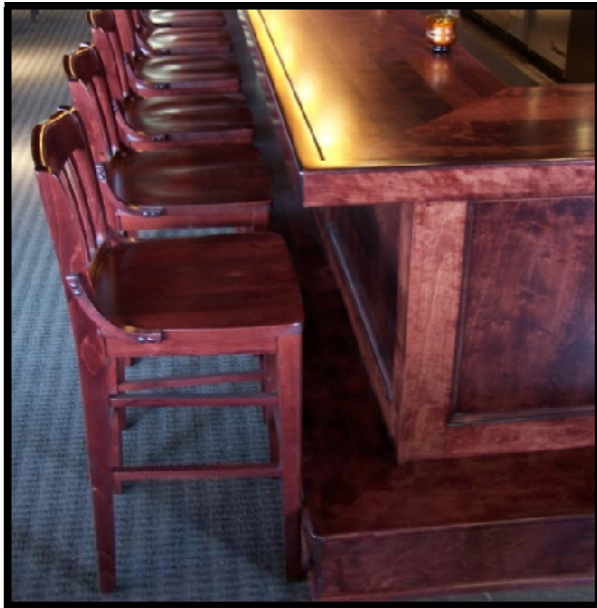




D&D Planning, Design, & Millwork LLC  
 23748 Amber Avenue, Warren, MI 48089  
 Telephone: 586.754.6500 Fax: 586.754.6501  
 www.boothsandbars.com

# Bar Style 01

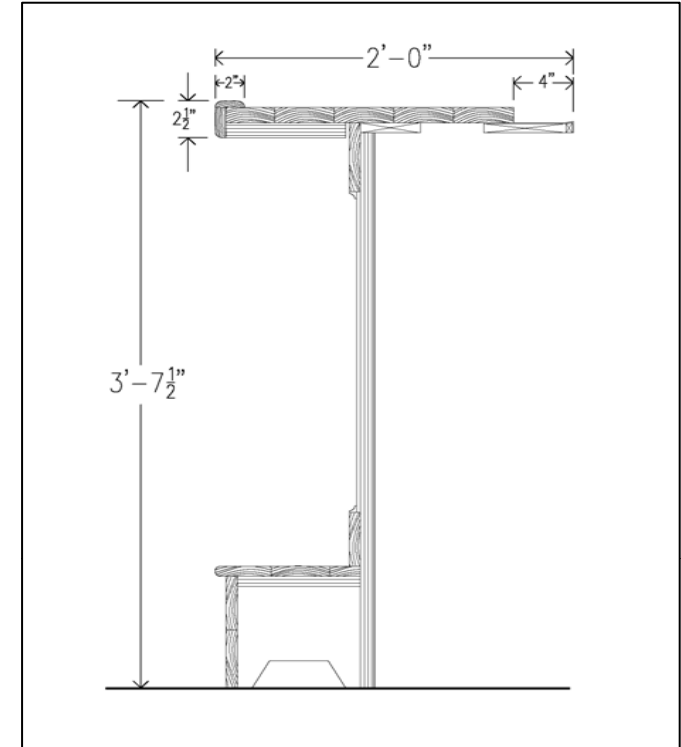


## FB-01

Bar top 24"-wide with 2" x 2-1/2" front armrest & separate drink rail at rear. Front die panel with or without recessed panels and hardwood trim. Hardwood riser and step or other footrest options avail.

Standard size: 24"-D x 43"-H x Any Length

All D&D bars can be built to any size, shape, or configuration.



Model Shown in Photo and Section at Right: FB01-B-L-B-VR1-B

### Specifying Information:

FB01-

↓  
Front Bar Type

↓  
Bar Top

- B = Solid Birch
- L = Laminate
- RO = Solid Red Oak
- SS = Stainless Steel
- V = Veneer
- C = Custom

↓  
Gutter

- L = Laminate
- SS = Stainless Steel

↓  
Arm Rest

- B = Birch
- L = Laminate
- RO = Red Oak
- V = Veneer
- C = Custom

↓  
Bar Front Options

- LR = Recess Laminate
- LF = Flat Laminate
- VR = Recess Veneer
- VF = Flat Veneer
- C = Custom

↓  
Bar Die Options

- 1 = Standard 1" Thick
- 5 = Optional 5" Thick Bar Die with Chase for Owner's Plumbing and Wiring, and Removable Back Panels.

↓  
Footrest

- B = Solid Birch
- RO = Solid Oak
- C = Custom

↓  
Length  
(In Feet)

↓  
Custom Options

**FB-01 Front Bar List Pricing (2008):** Starting at \$500 per LF List. Call for net pricing based on specifications and size.